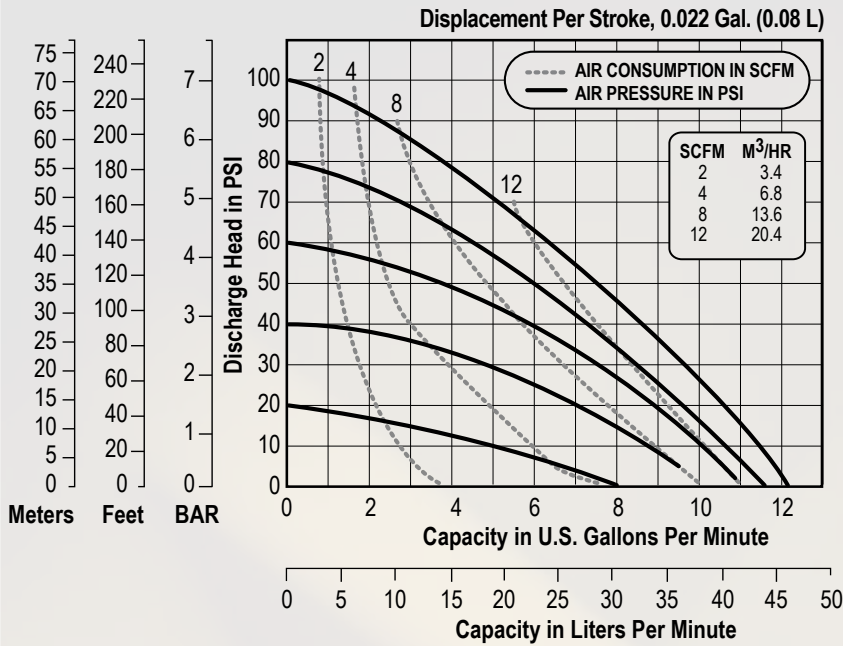


# 1/2" Elima-Matic Bolted Metal

with Metallic and Non-Metallic Center Sections

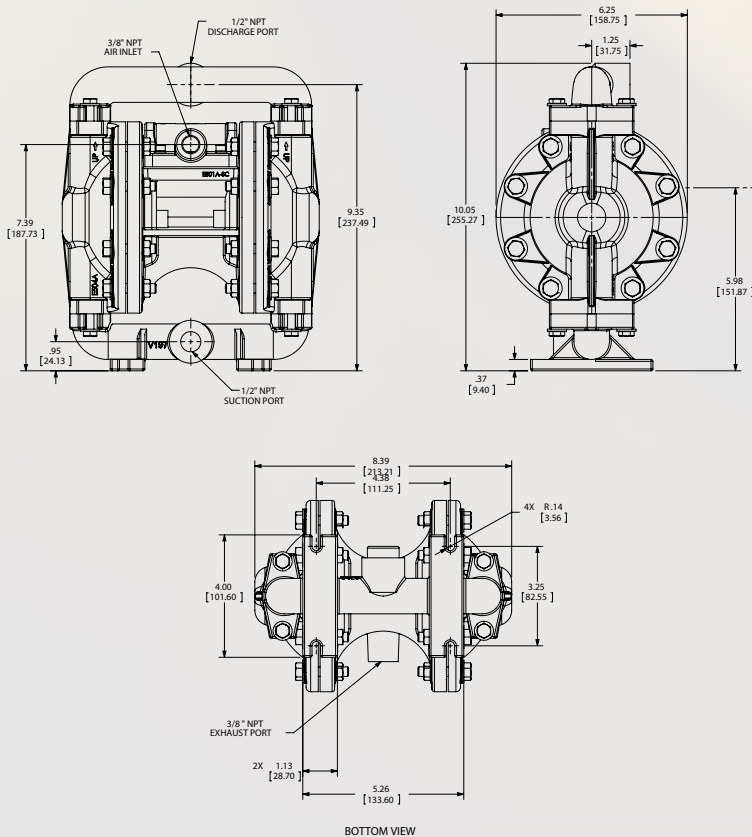
# E5

## Performance



**NOTE:** Performance based on the following: elastomeric fitted pump, flooded suction, water at ambient conditions. The use of other materials and varying hydraulic conditions may result in deviations in excess of 5%.

## Dimensions



## Specifications

**E5 1/2" Bolted Metal**  
Rubber and TPE Fitted

### Flow Rate

Adjustable to . . . . . 0-12 gpm (45.4 lpm)

### Port Size

Suction . . . . . 1/2" NPT

Discharge . . . . . 1/2" NPT

**Air Inlet** . . . . . 3/8" NPT

**Air Exhaust** . . . . . 3/8" NPT

### Suction Lift

Dry . . . . . 13' (3.9 m)

Wet . . . . . 22' (6.7 m)

### Max Solid Size (Diameter)

. . . . . 1/16" (1.6 mm)

**Max Noise Level** . . . . . 84 dB(A)

### Shipping Weights

Aluminum . . . . . 11 lbs (3.9 kg)

Stainless . . . . . 17 lbs (7.7 kg)

Alloy C . . . . . 17 lbs (7.7 kg)

